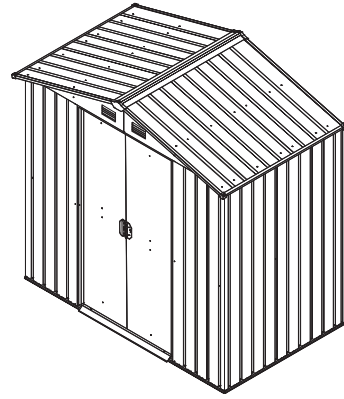
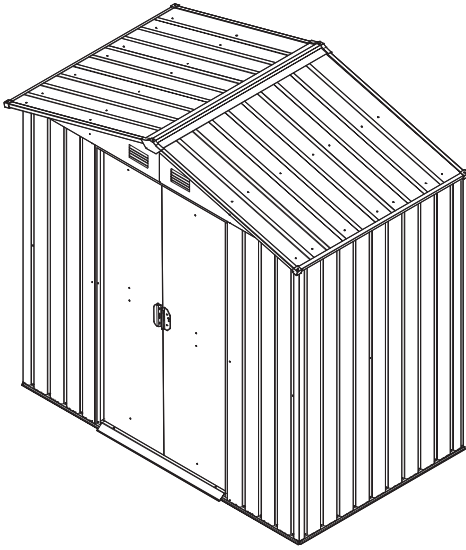
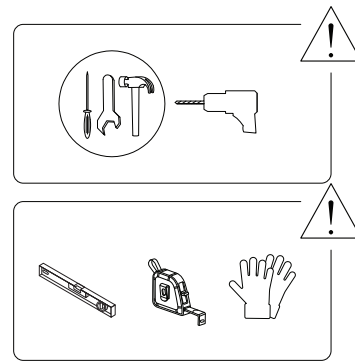


CIRELLA



1/32



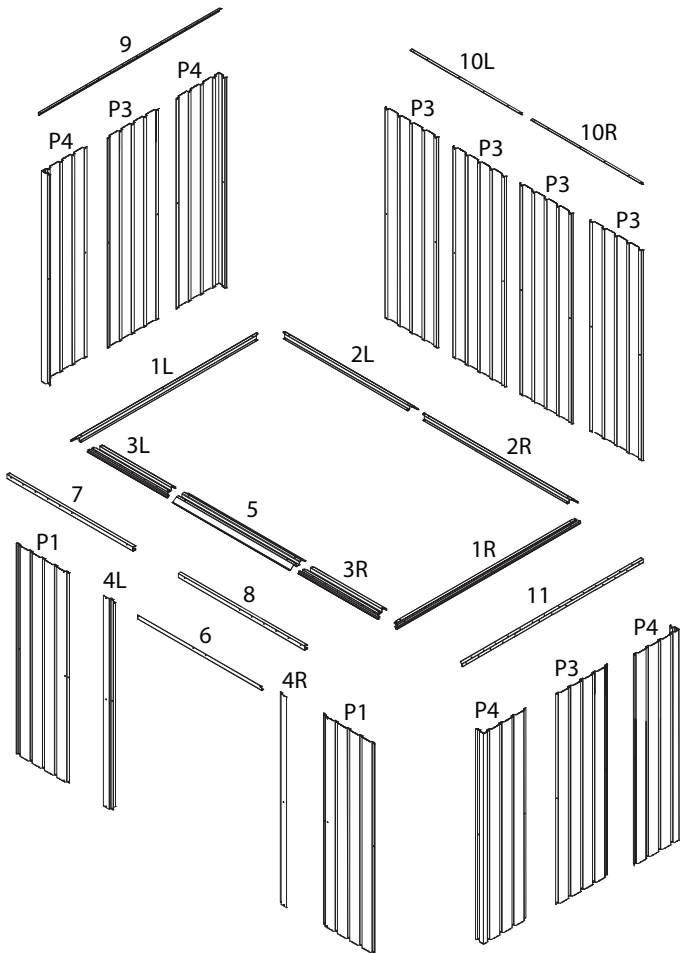
300'



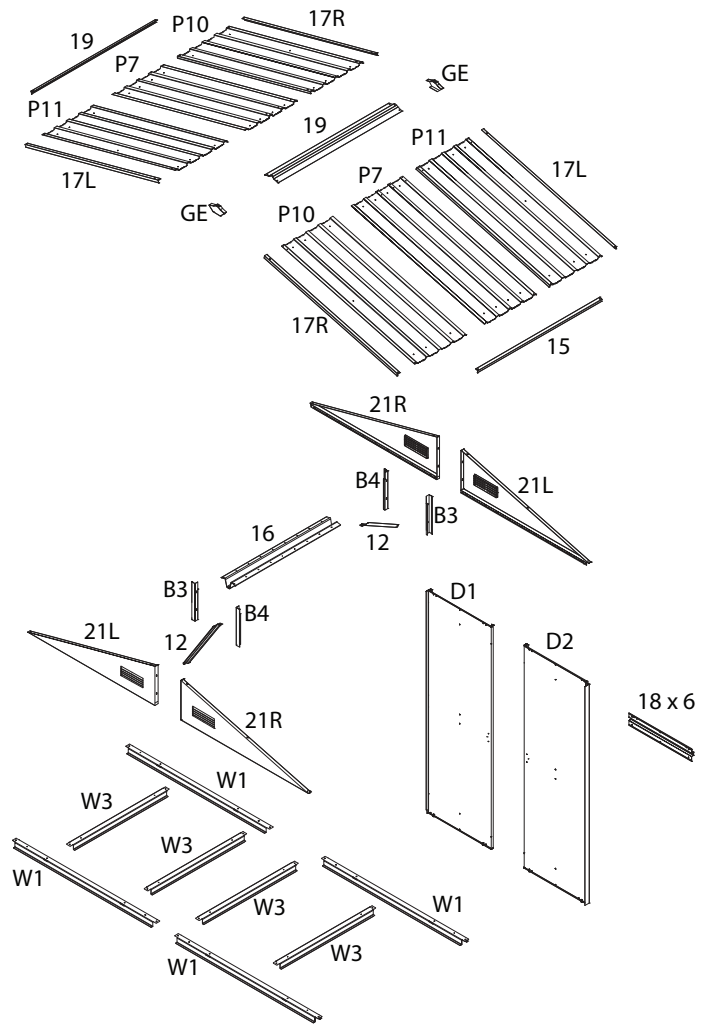
2

2/32

813/CIRELLA/050326/



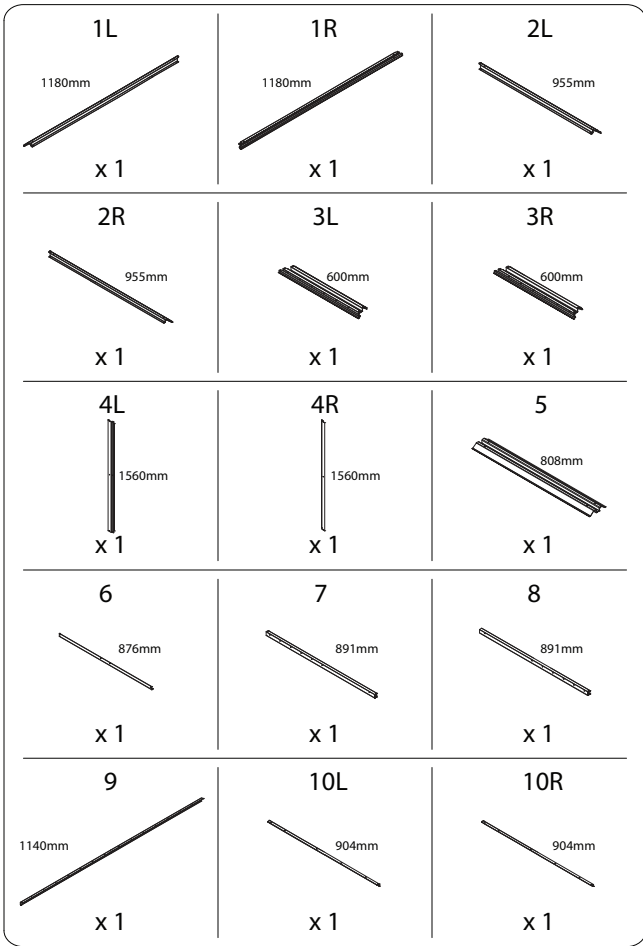
3/32



4/32

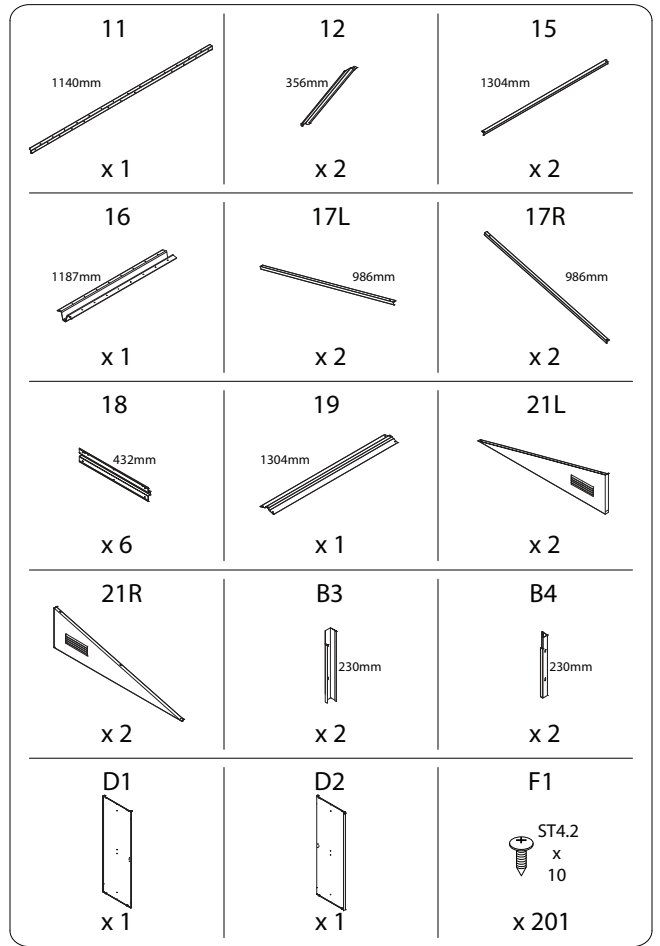
813/CIRELLA/050326/

813/CIRELLA/050326/



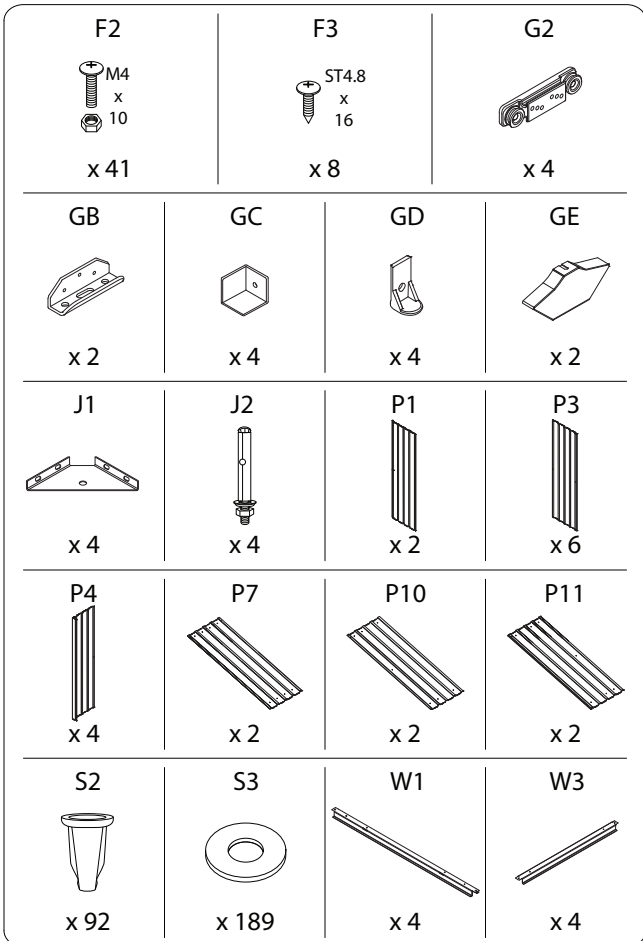
5/32

813/CIRELLA/050326/



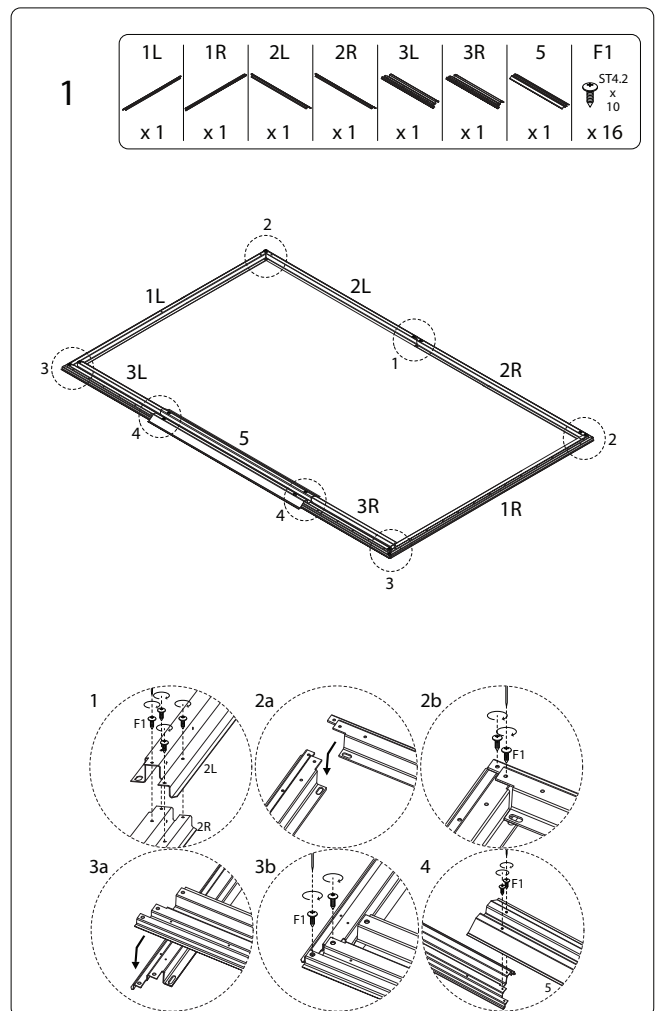
6/32

813/CIRELLA/050326/



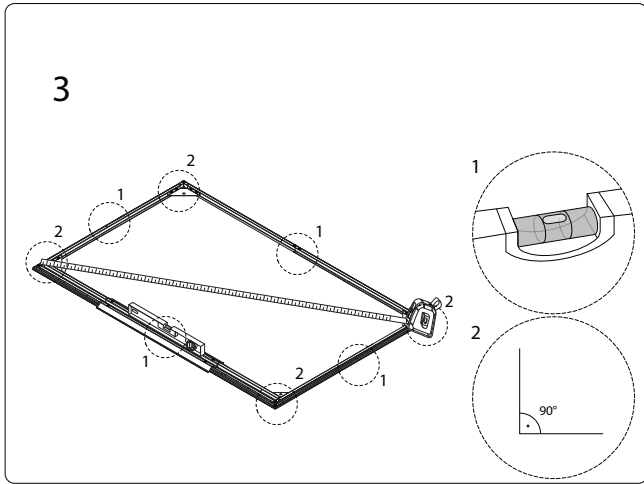
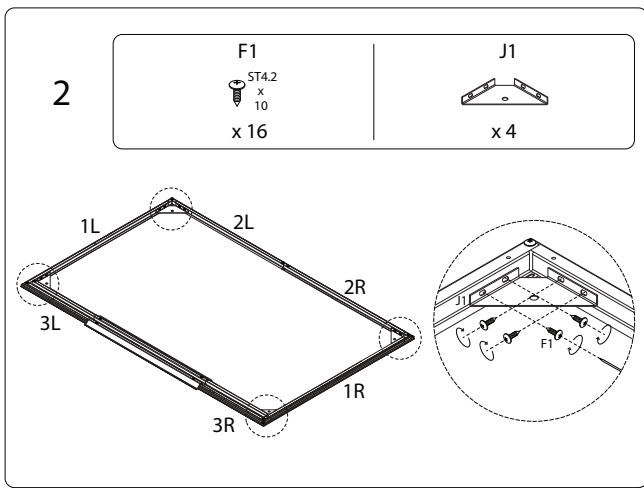
7/32

813/CIRELLA/050326/



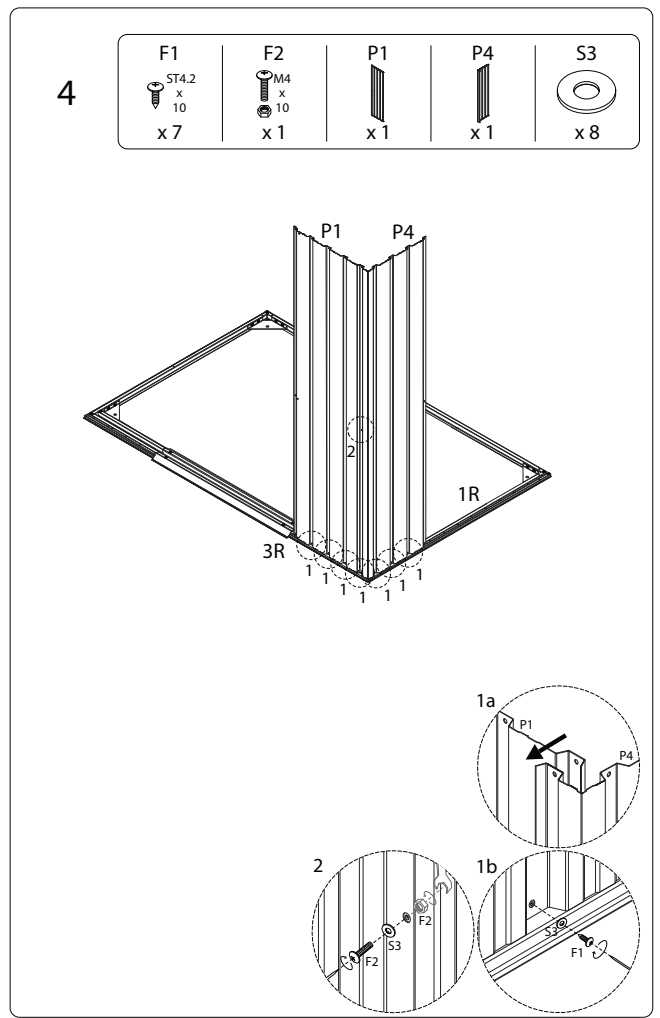
8/32

813/CIRELLA/050326/



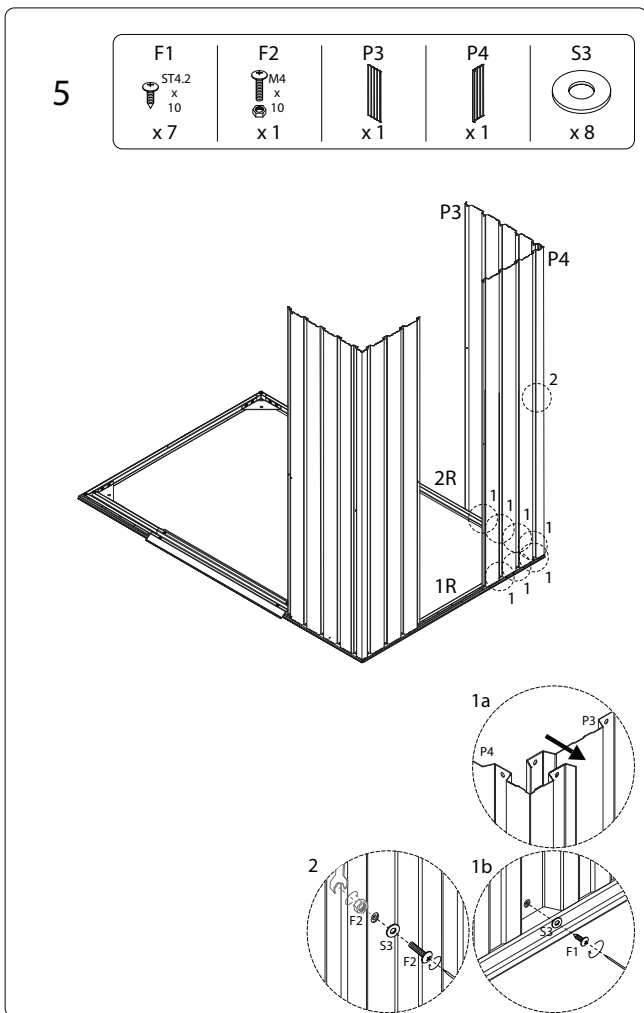
9/32

813/CIRELLA/050326/



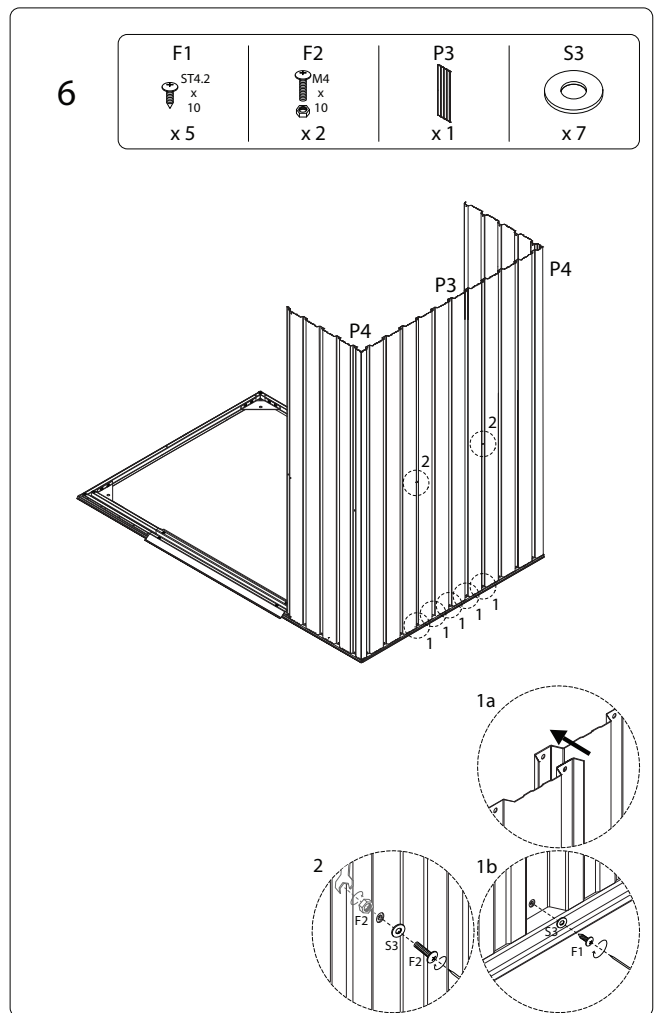
10/32

813/CIRELLA/050326/



11/32

813/CIRELLA/050326/

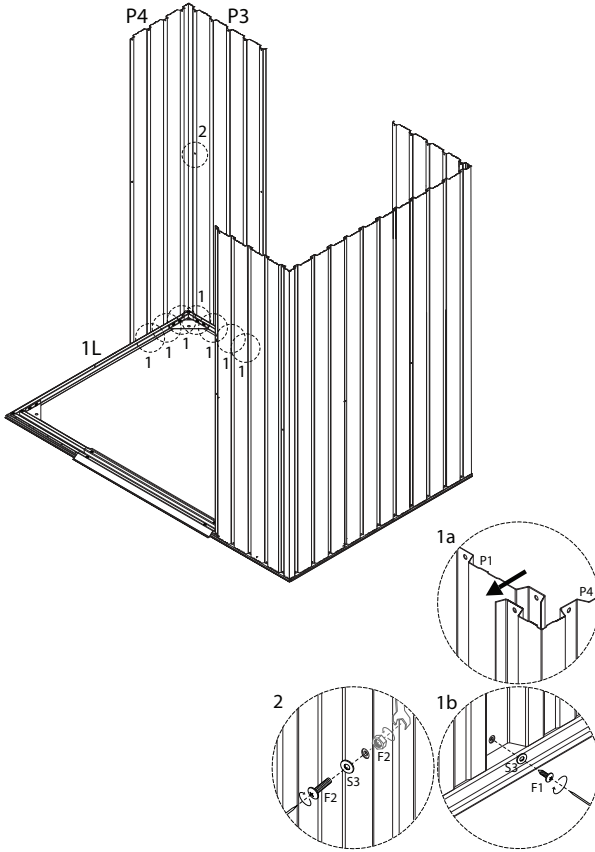


12/32

813/CIRELLA/050326/

7

F1 ST4.2 x 10 x 7	F2 M4 x 10 x 1	P3 x 1	P4 x 1	S3 x 8
----------------------------	-------------------------	-----------	-----------	-----------

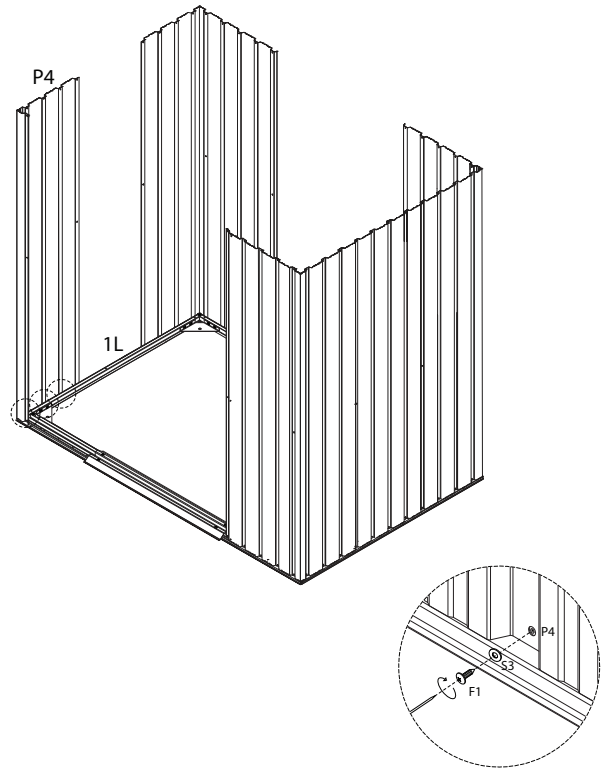


13/32

813/CIRELLA/050326/

8

F1 ST4.2 x 10 x 3	P4 x 1	S3 x 3
----------------------------	-----------	-----------

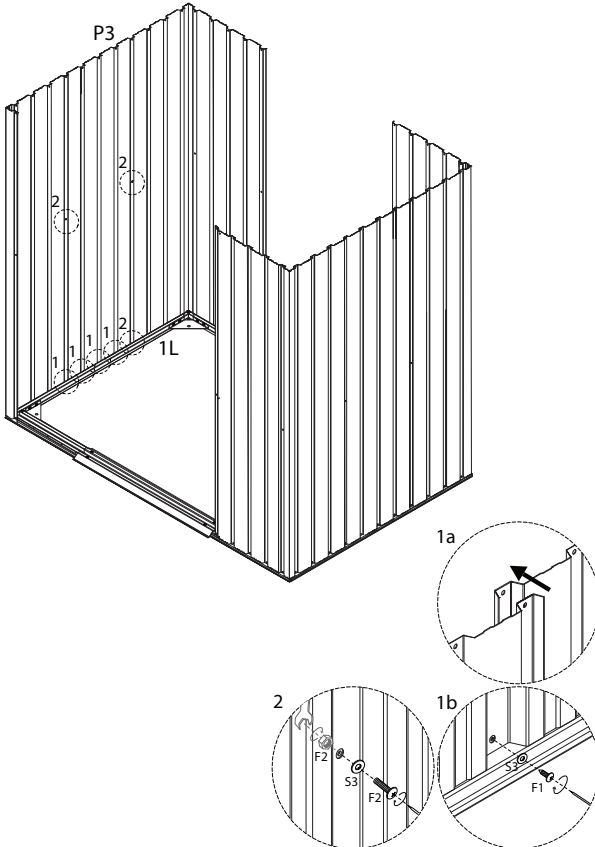


14/32

813/CIRELLA/050326/

9

F1 ST4.2 x 10 x 5	F2 M4 x 10 x 2	P3 x 1	S3 x 7
----------------------------	-------------------------	-----------	-----------

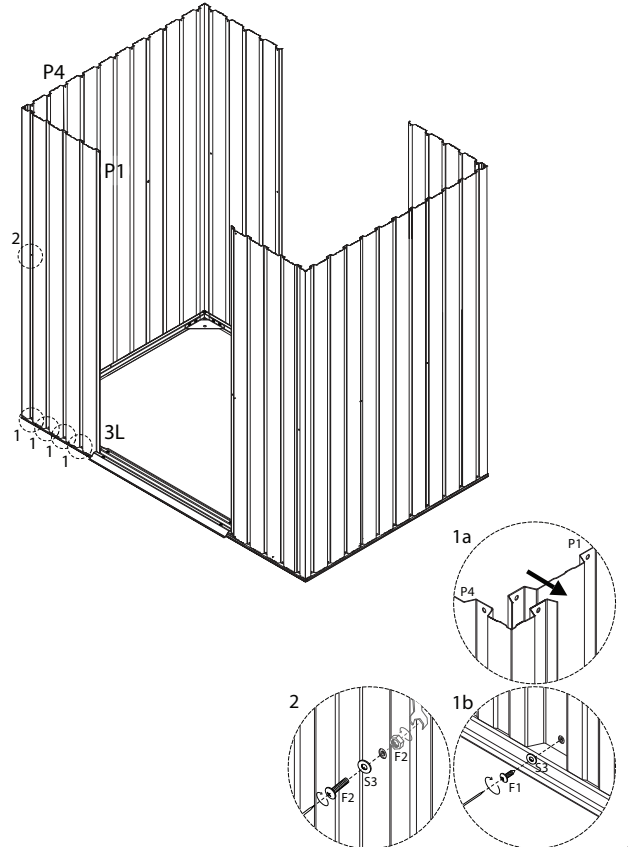


15/32

813/CIRELLA/050326/

10

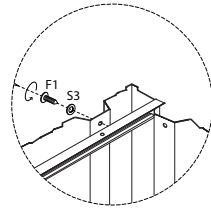
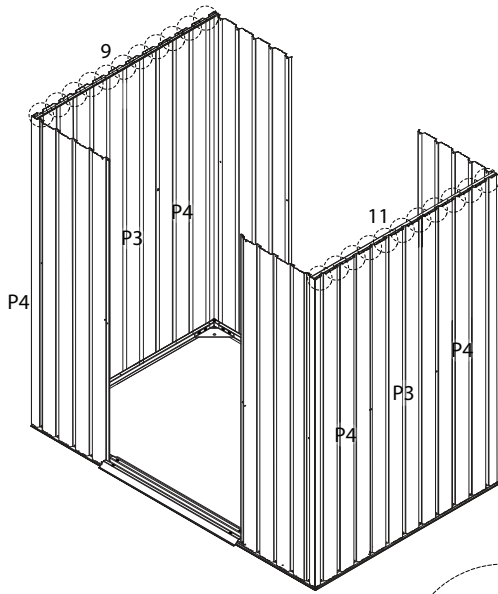
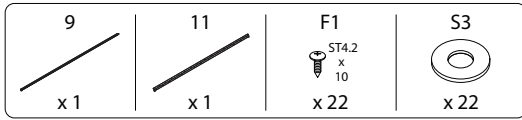
F1 ST4.2 x 10 x 4	F2 M4 x 10 x 1	P1 x 1	S3 x 5
----------------------------	-------------------------	-----------	-----------



16/32

813/CIRELLA/050326/

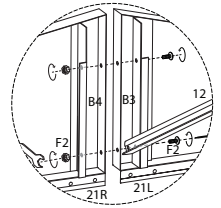
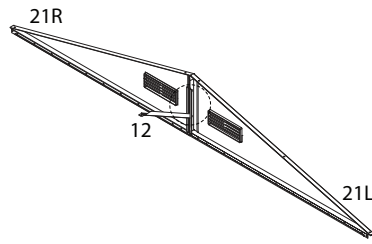
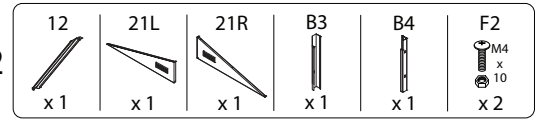
11



17/32

813/CIRELLA/050326/

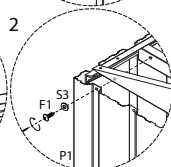
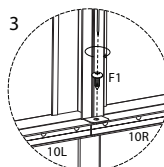
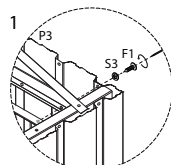
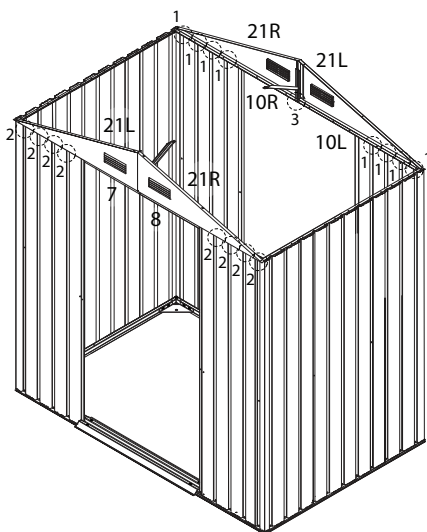
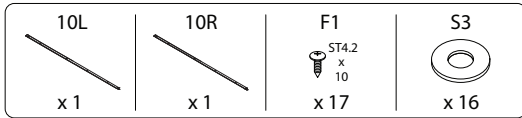
12 x 2



18/32

813/CIRELLA/050326/

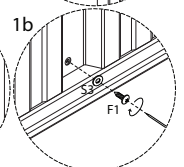
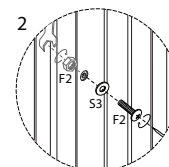
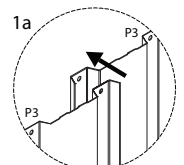
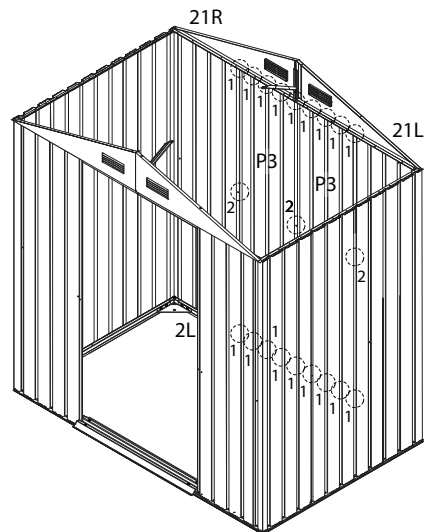
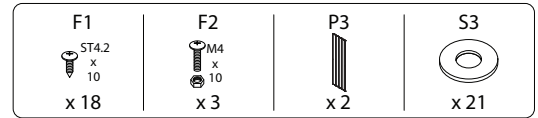
14



19/32

813/CIRELLA/050326/

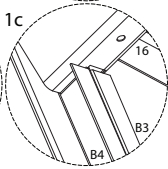
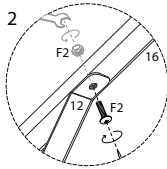
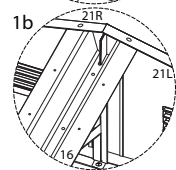
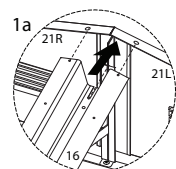
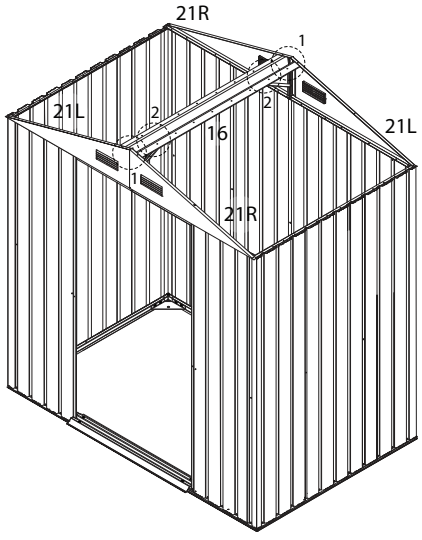
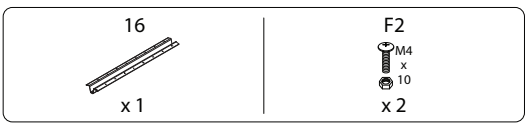
15



20/32

813/CIRELLA/050326/

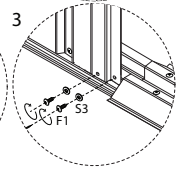
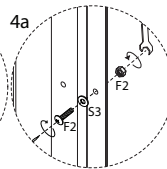
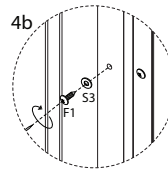
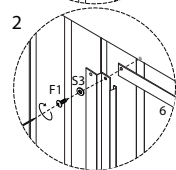
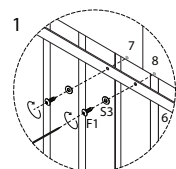
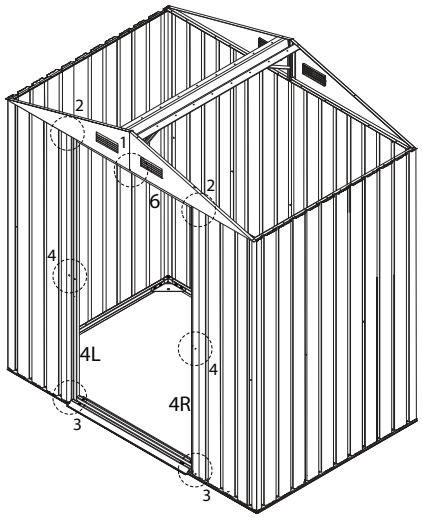
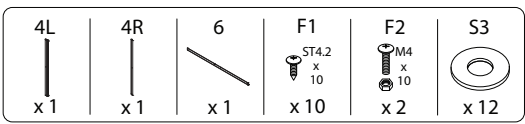
16



21/32

813/CIRELLA/050326/

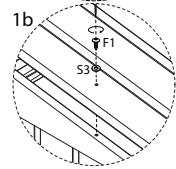
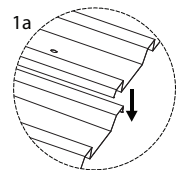
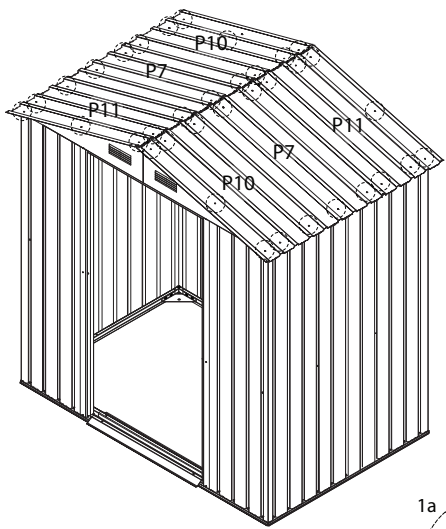
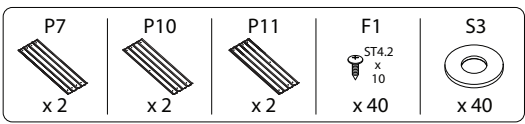
17



22/32

813/CIRELLA/050326/

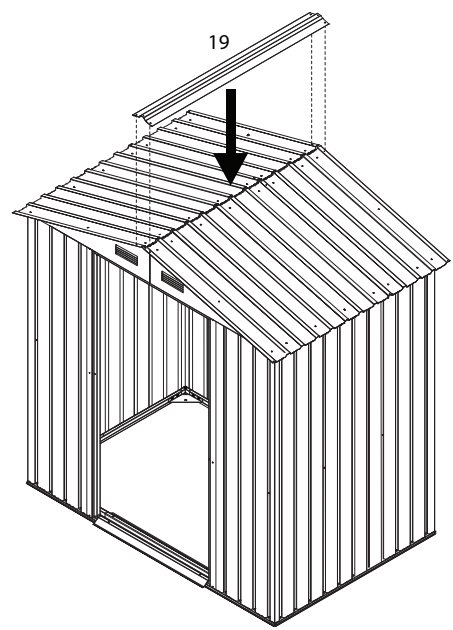
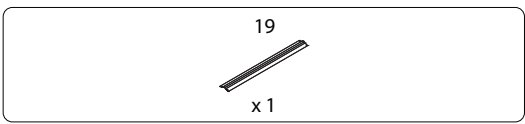
18



23/32

813/CIRELLA/050326/

19



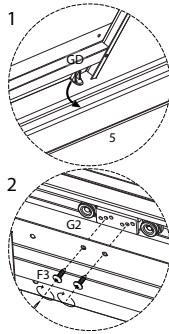
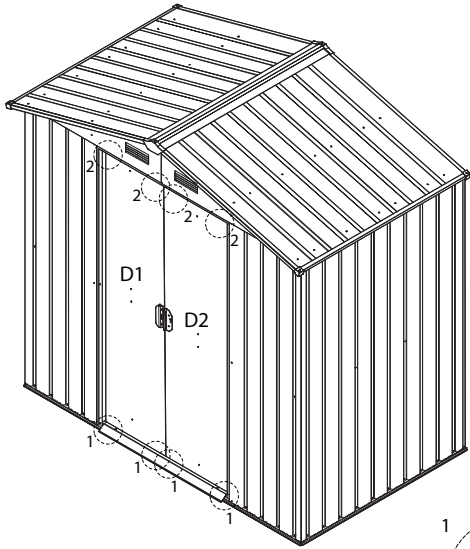
24/32

813/CIRELLA/050326/

26

F3

ST4.8
x 16
x 8



29/32

813/CIRELLA/050326/

27

F1

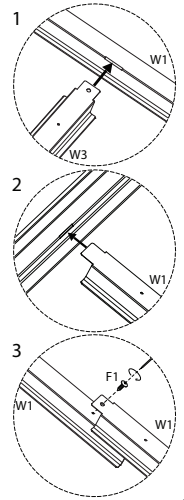
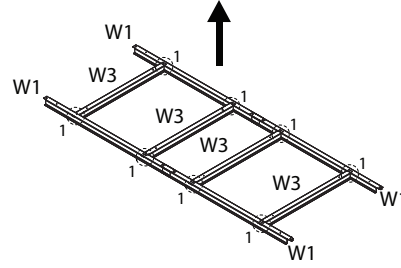
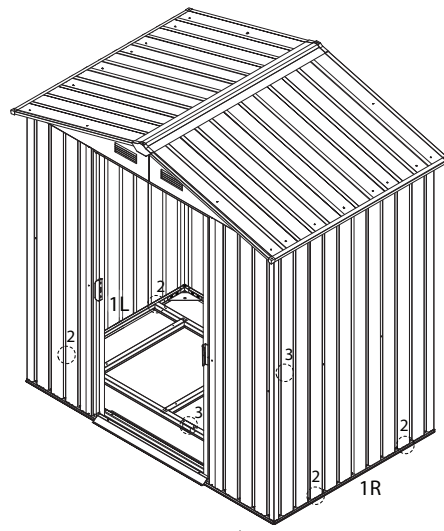
ST4.2
x 10
x 2

W1

x 4

W3

x 4



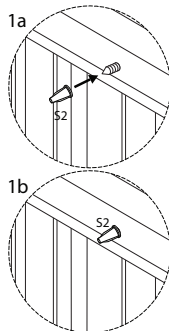
30/32

813/CIRELLA/050326/

28

S2

x 92



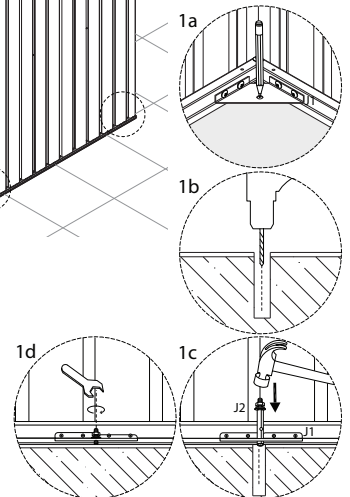
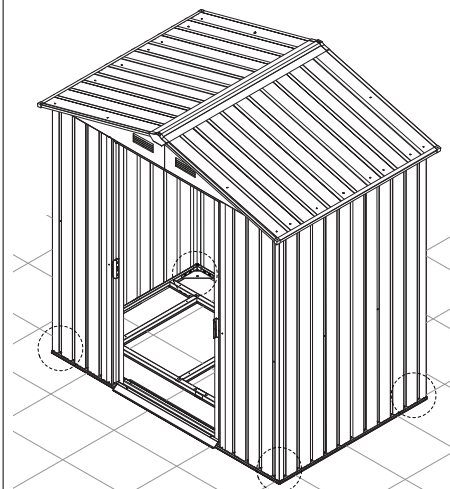
31/32

813/CIRELLA/050326/

29

J2

x 4



32/32

813/CIRELLA/050326/