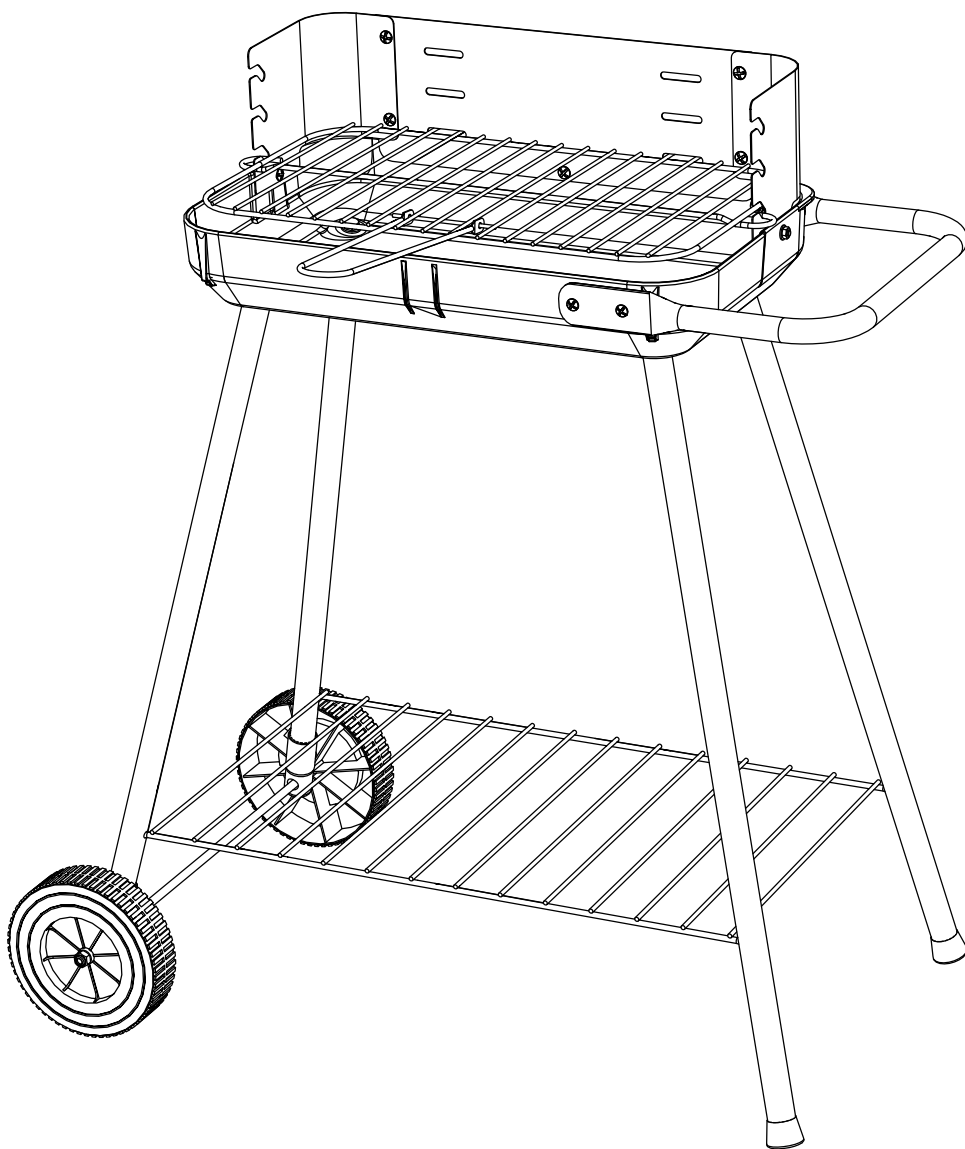
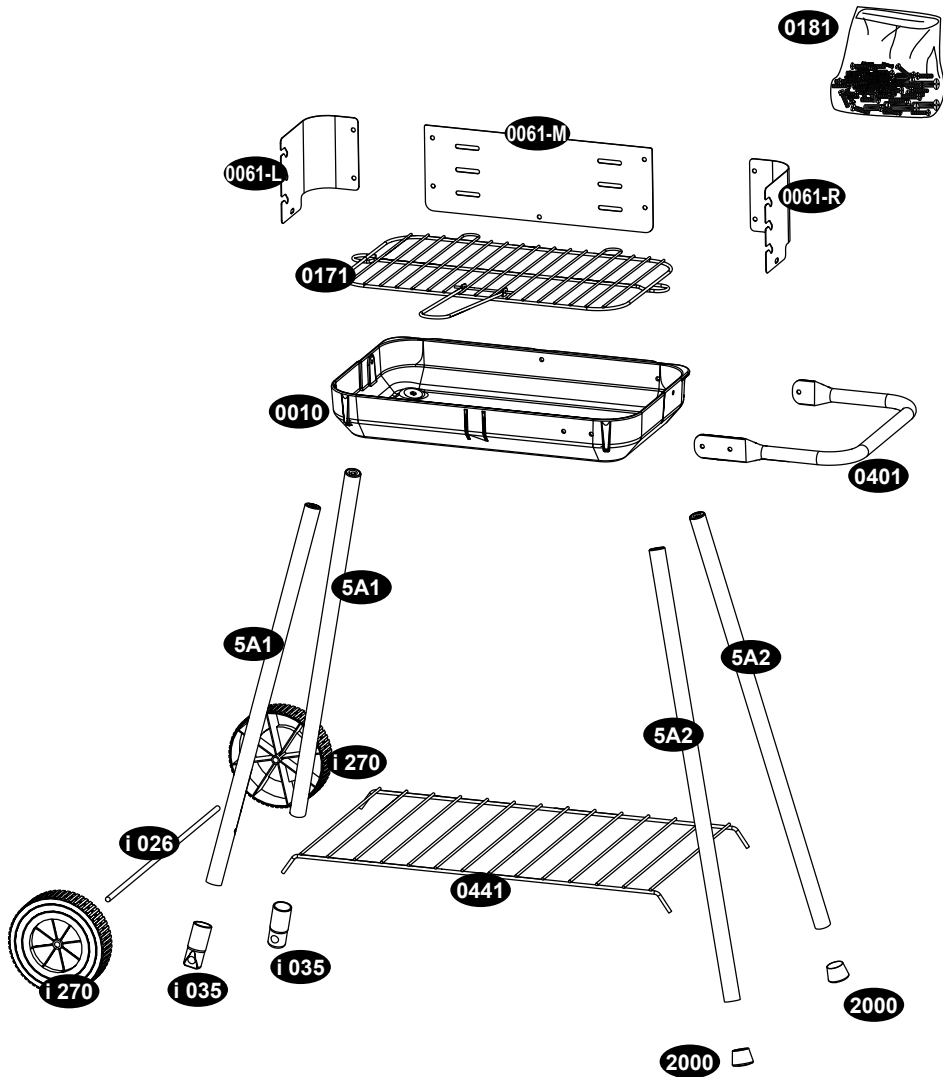









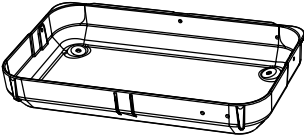

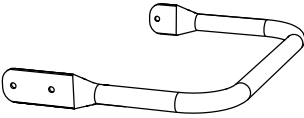
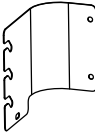

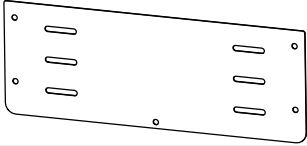


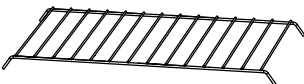
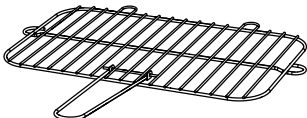



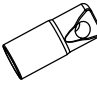
TOM 344022



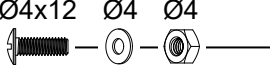


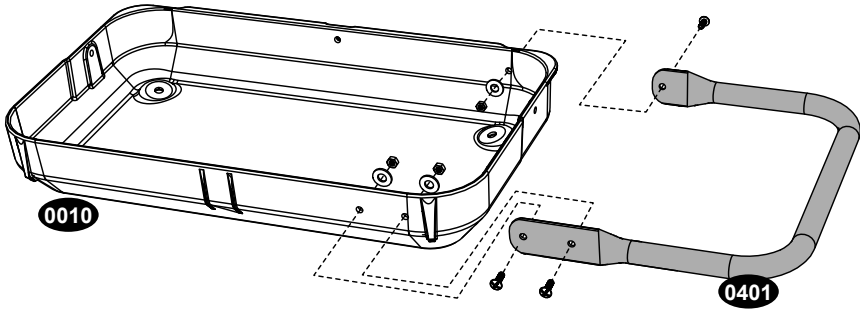
	Ø6 x 16	x 4
	Ø4 x 12	x 6
	Ø4 x 8	x 4
	Ø6	x 2

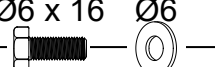
	Ø4	x 10
	Ø6	x 4
	Ø4	x 10

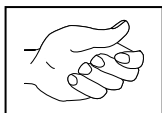
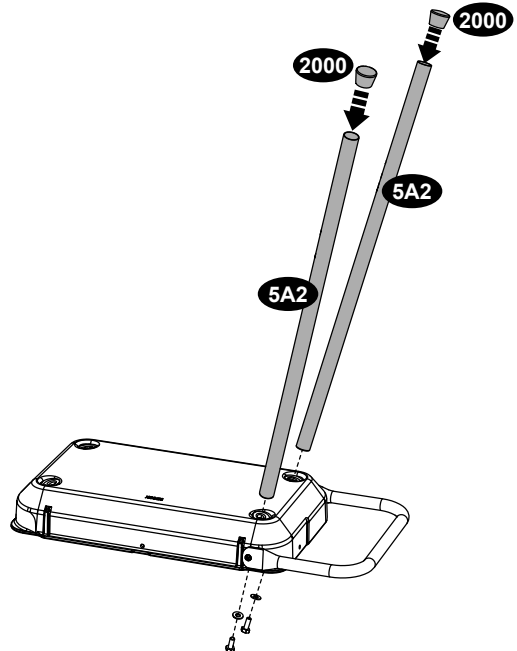
0010		x 1	i 270		x 2
0401		x 1	0061-L		x 1
5A2		x 2	0061-M		x 1
2000		x 2	0061-R		x 1
0441		x 1	0171		x 1
5A1		x 2	0181		x 1
i 026		x 1	i 035		x 2

1

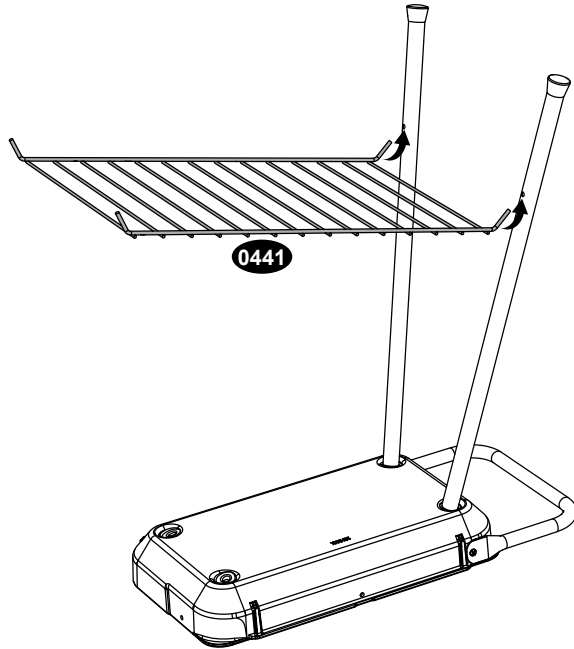
$\varnothing 4 \times 12$ $\varnothing 4$ $\varnothing 4$

 x 3 x 3 x 3

**2**

$\varnothing 6 \times 16$ $\varnothing 6$

 x 2 x 2



3



4

$\varnothing 6 \times 16$
x 2

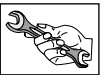
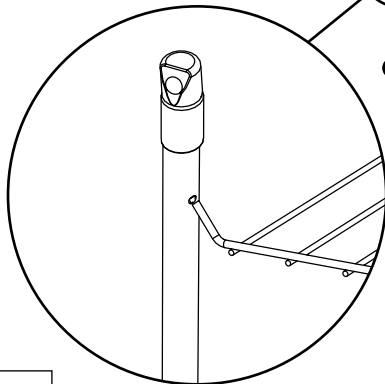
$\varnothing 6$
x 2

i 035

i 035

5A1

5A1

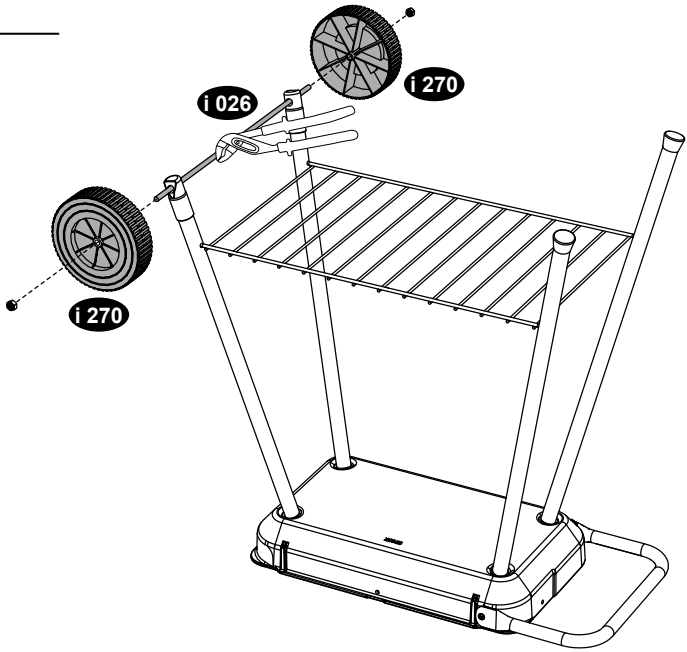


5

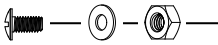
Ø6 Nylstop



x 2

**6**

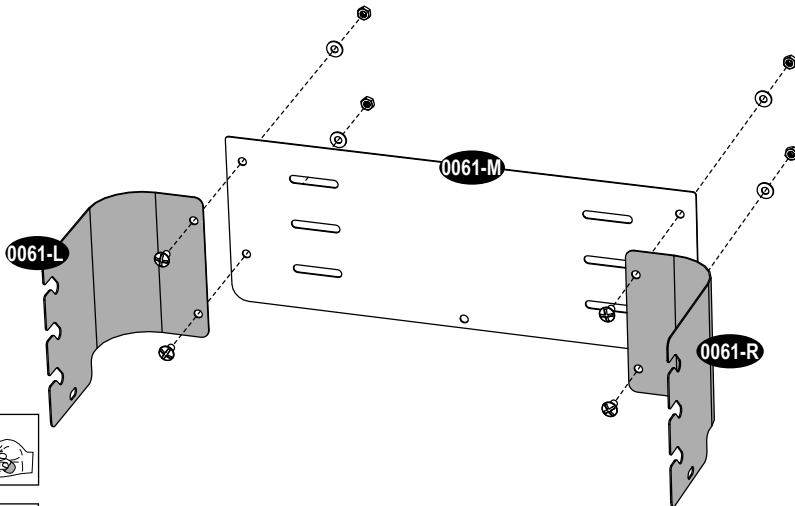
Ø4x8 Ø4 Ø4



x 4

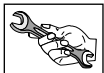
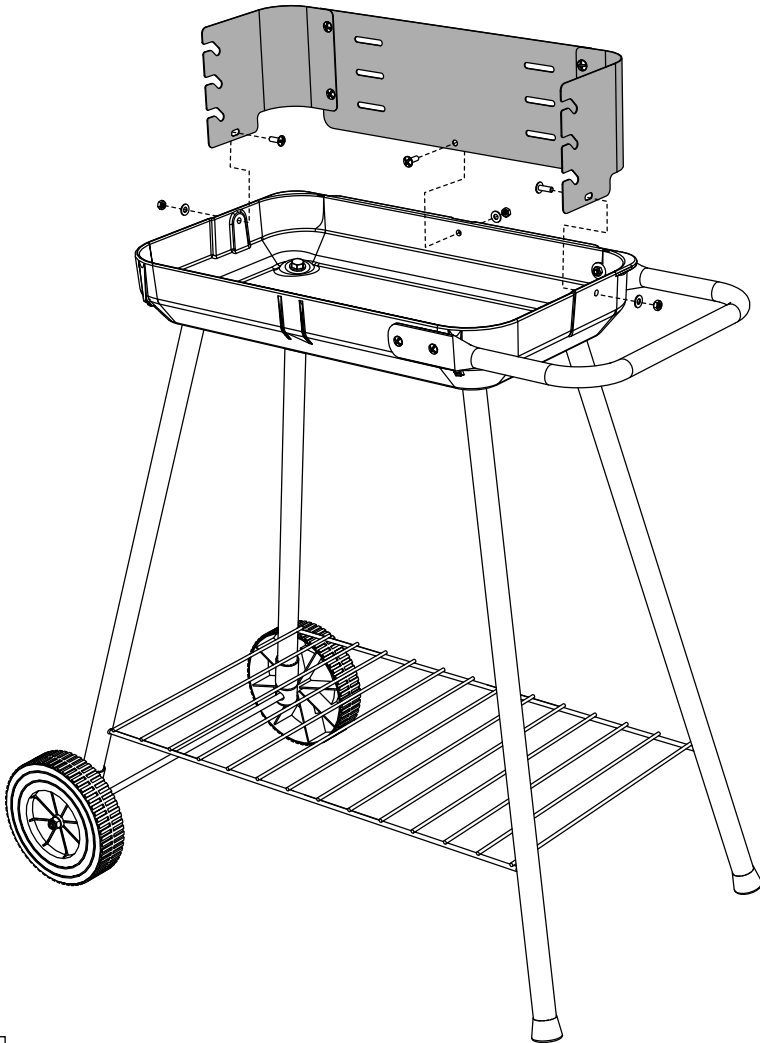
x 4

x 4



7

Ø4x12 Ø4 Ø4
x 3 x 3 x 3



8

