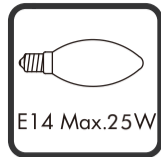
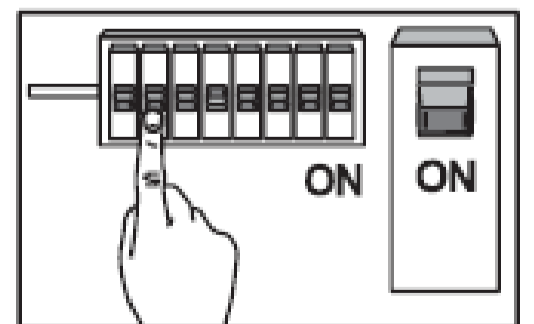
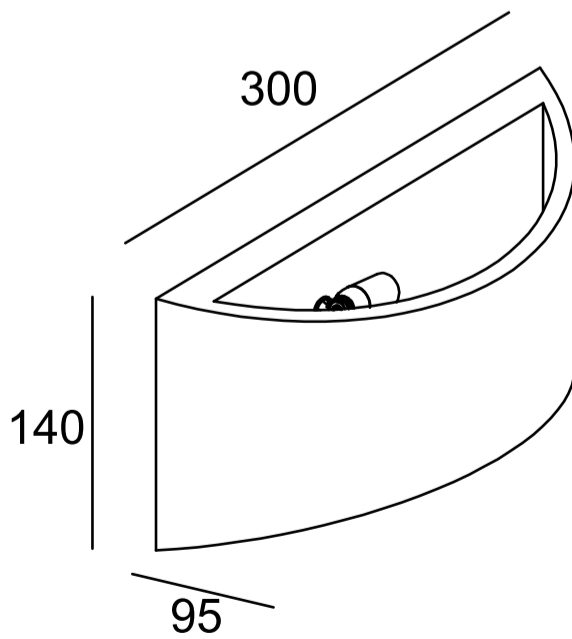
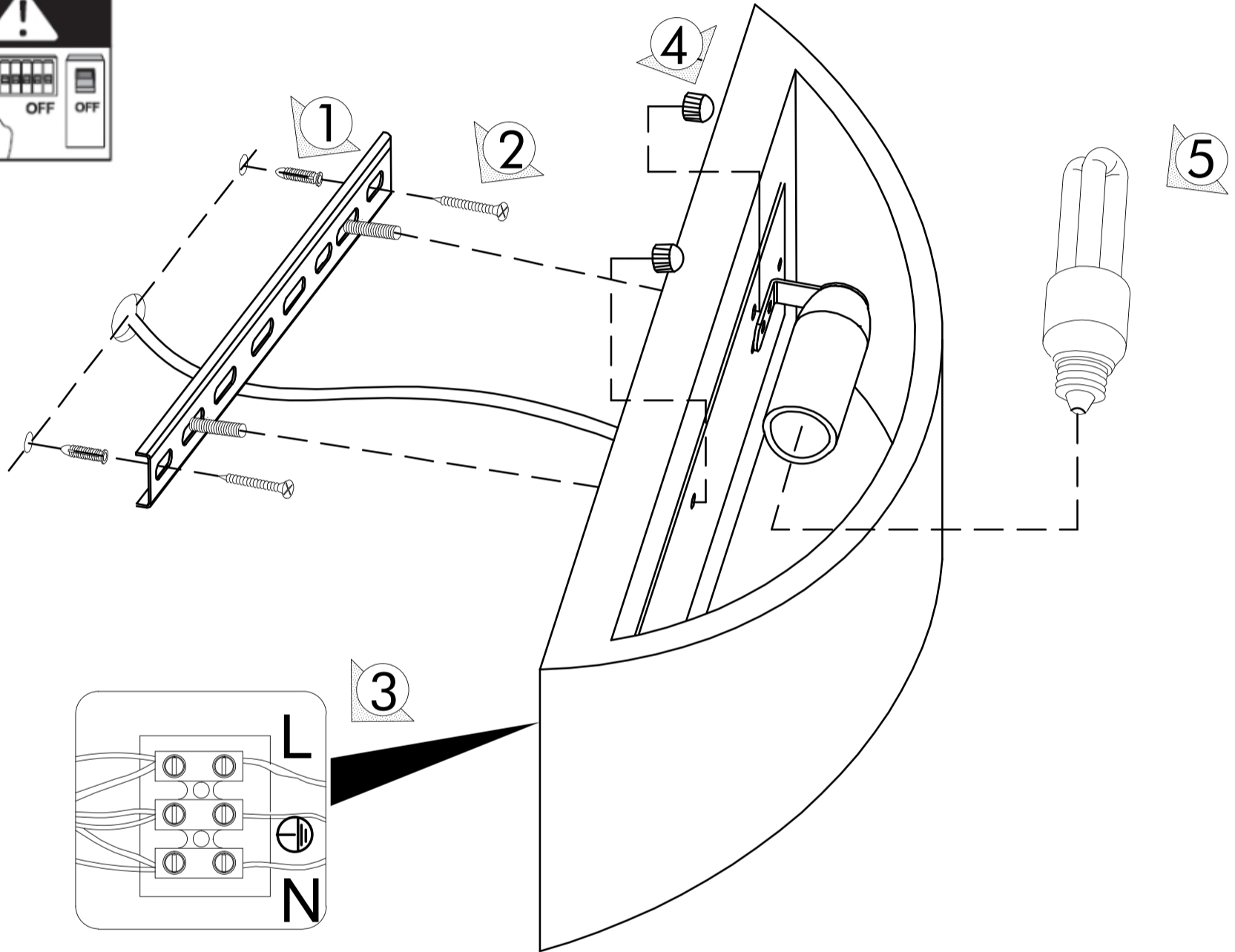
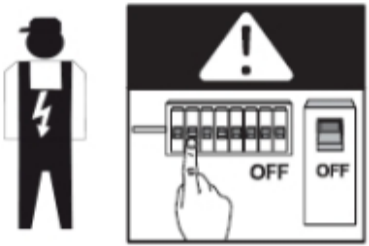


INSTRUCTION MANUAL



Creil WL Concrete

96581



FittinQ B.V.

Smaragdweg 52, 5527 LB Hapert, The Netherlands
www.qazqa.nl

QAZQA